



USB-A & USB-C COMBINATION OUTLET 2030

USB-A&C power in one unit

As USB-C becomes the new standard connector for consumer electronics passengers will demand USB-C capability to charge their Portable Electronic Devices (PEDs).

Passengers will continue to come on board with legacy USB-A products for a number of years. IFPL has designed the 2030 USB outlet to provide airlines a simple and relatively low cost upgrade path to address this transition period.

A key differentiator of the 2030 USB-A is bi-directional insertion. This means that whichever way round the passenger tries to insert their USB connector they will always get it right. This feature significantly helps to minimise Customer Induced Damage (CID), which can be costly for any airline.

Additionally the USB connectors are housed in the replaceable cassette. Should the connector become damaged it can be replaced quickly and economically.

The 2030 supports power up to 7.5W @ 5VDC. It is compatible with default USB power specification BC-1.2 when utilising Type A and Type C connectors. This allows IFPL to leverage the airlines existing systems and just update the outlets to support USB-C.

This USB outlet is front mount to ensure easy seat integration. This provides easy on-wing replacement

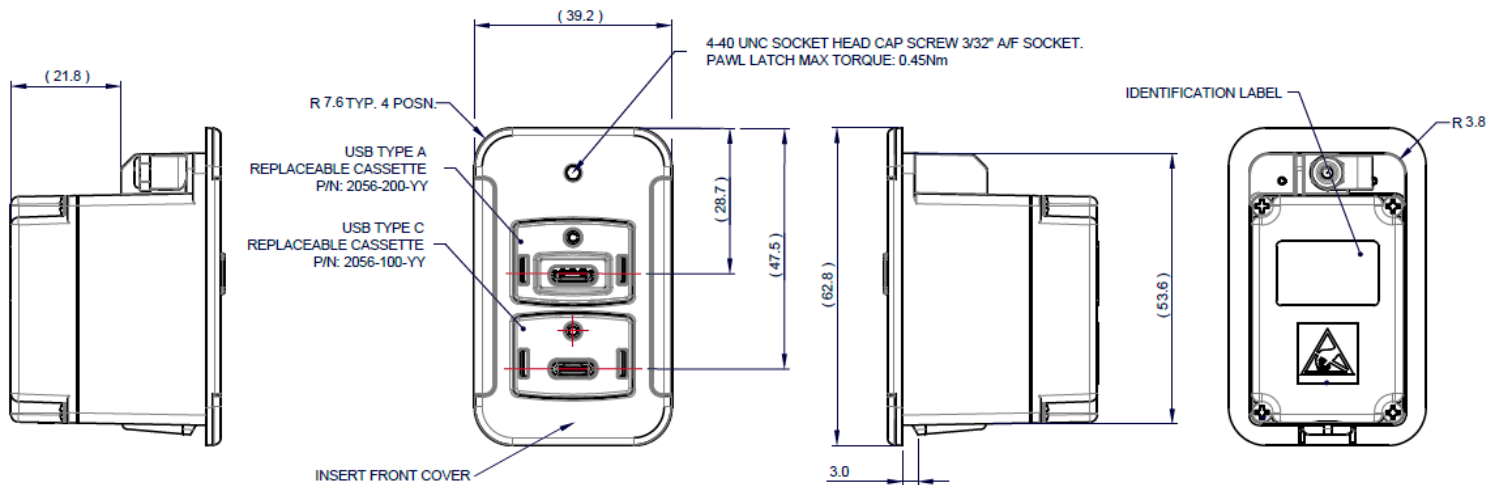
The front bezel colour is customisable to match the required aesthetic of the seat or cabin environment.

CUSTOMER SATISFACTION

- USB-A & USB-C to support passenger PEDs
- Power to support charging of tablets and smart-phones
- Reversible USB ports for easy bi-directional insertion
- Designed to support aesthetic and ergonomic seat integration

AIRLINE PROPOSITION

- Designed and tested for long service life
- Bi-directional insertion designed to minimise CID
- Replaceable USB cassette
- Easy on-wing replacement



2030 TECHNICAL SPECIFICATION

IFPL is an innovative award winning company specialising in the design and manufacture of passenger interface solutions to the global In-flight Entertainment and Connectivity (IFEC) industry.

Twice winner of the prestigious Queen's Award for Enterprise, we are unique in our ability to combine industry leading innovation with manufacturing excellence; through comprehensive in-house capability that enables our clients to work closely with us in transforming ideas, from concept to prototype and then delivered as industrialised, certified and production ready solutions.

PART		
Name	USB-A&C Dual	
Number	2030-xxx-y	
ELECTRICAL CHARACTERISTICS		
Input Voltage	5VDC +/- 0.25VDC	
Nominal Input Current	No Load	0.01A
	Max Load	6A
Under and Over Volt Protection?	Yes	
Output Voltage	5VDC +/- 0.25VDC	
Output Current		
USB-C	3 Amps	
USB-A	3 Amps	
USB Charging Schemes Supported	USB Standard BC1.2	
	Supports non-BC 1.2 Charging Modes by Automatic Selection D+/D- Divider Modes 2.0V/2.7V and 2.7/2.0V D=/D- 1.2V Mode	
MECHANICAL		
Weight	TBC	
Standard Colour	Black - configurable to your requirement on request	
Overall Dimensions - HxWxD	As per drawing above	
Cut Out	As per drawing above	
OPERATING TEMPERATURE		
Typical	+15°C to +25°C	
Functional	-15°C to +55°C	